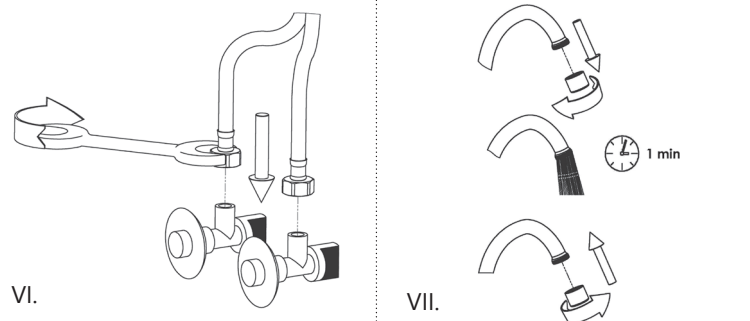
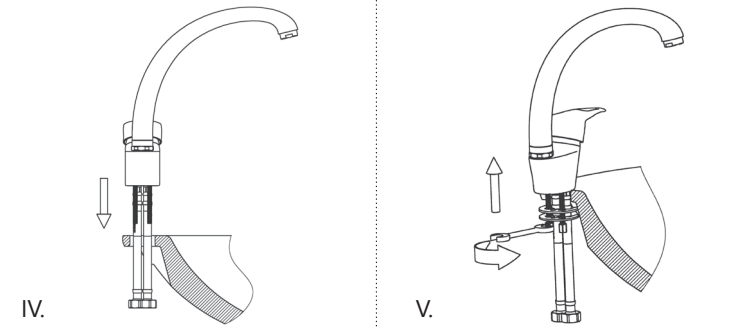
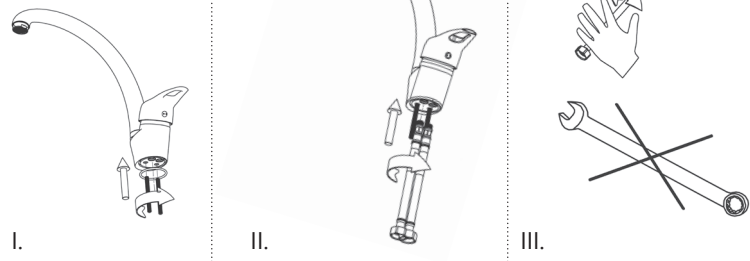
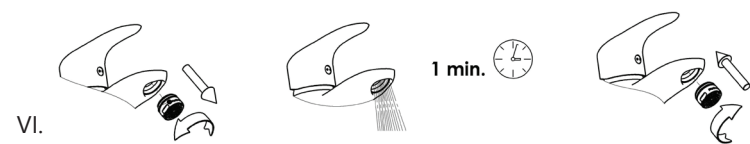
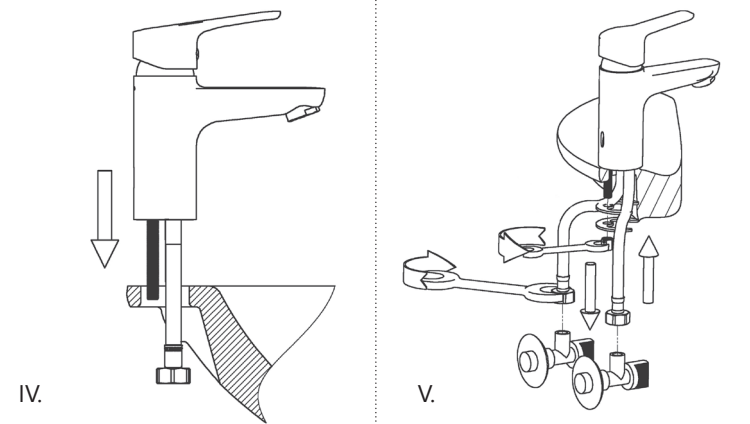
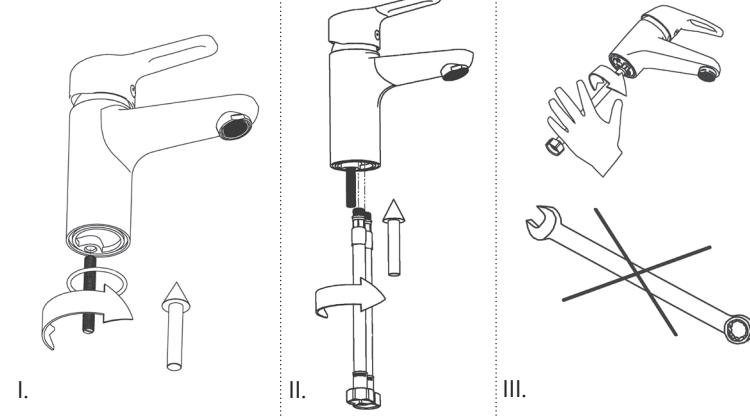


Kapri-19  
Kapri-20

Wave-20



Kapri-18 / Wave-18




RUBINETA

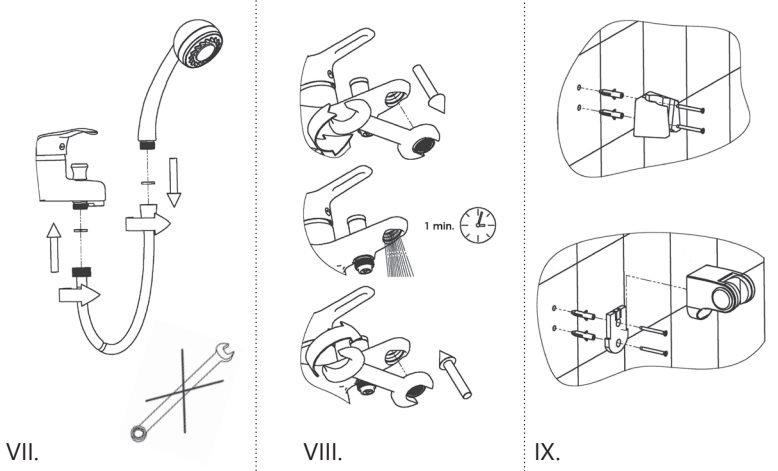
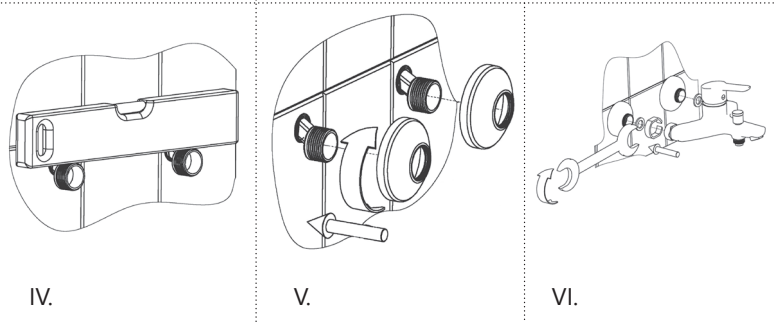
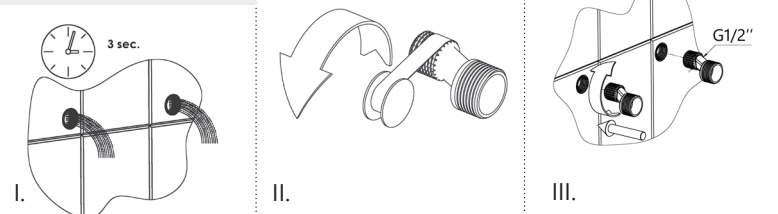


**KAPRI &  
WAVE**

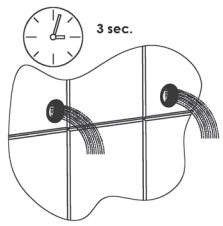
UAB „Rubineta“  
Savanorių pr. 180, LT-03154 Vilnius  
[www.rubineta.com](http://www.rubineta.com)

COMPANY WITH  
QUALITY SYSTEM  
CERTIFIED BY DNV  
= ISO 9001 =

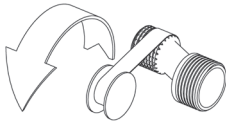
Kapri-10/K  
Wave-10/K



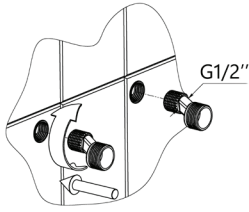
Kapri-12/K



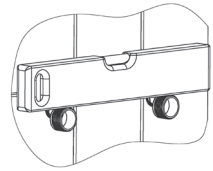
I.



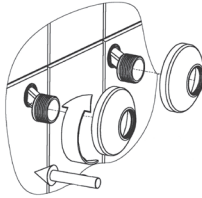
II.



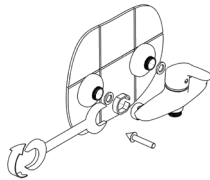
III.



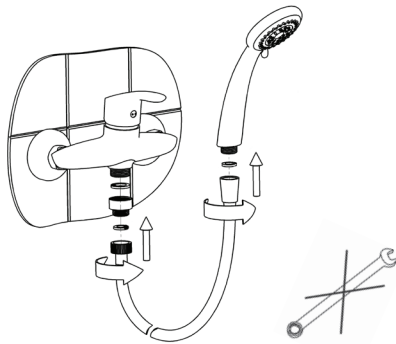
IV.



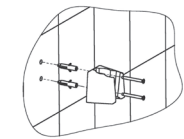
V.



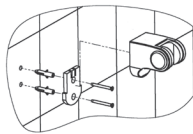
VI.



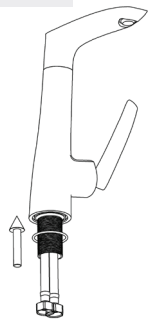
VII.



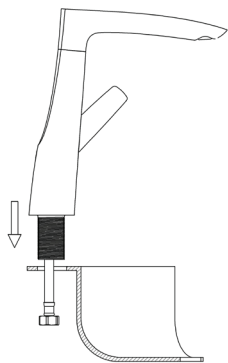
VIII.



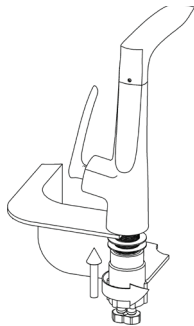
Kapri-33/ Wave-33



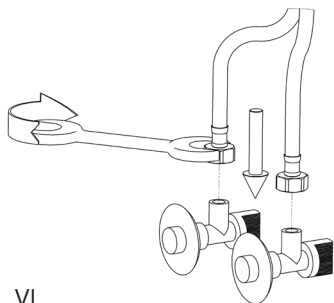
I.



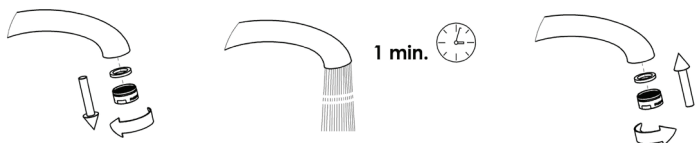
II.



III.

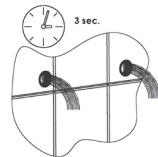


VI.



V.

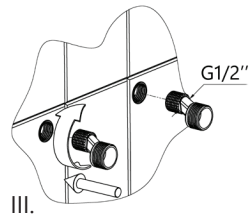
Kapri-12/C Wave-12/C  
Kapri-12/G



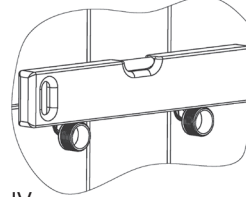
I.



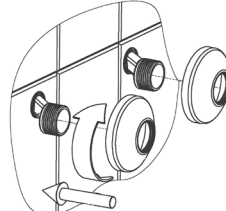
II.



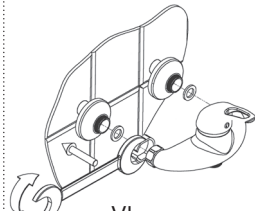
III.



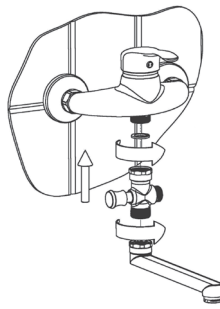
IV.



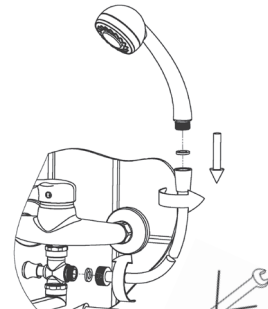
V.



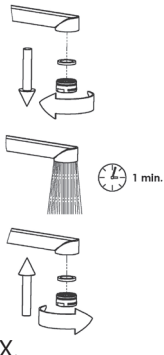
VI.



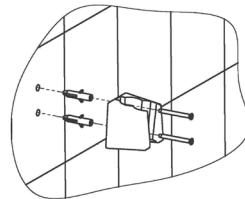
VII.



VIII.



IX.



X.

