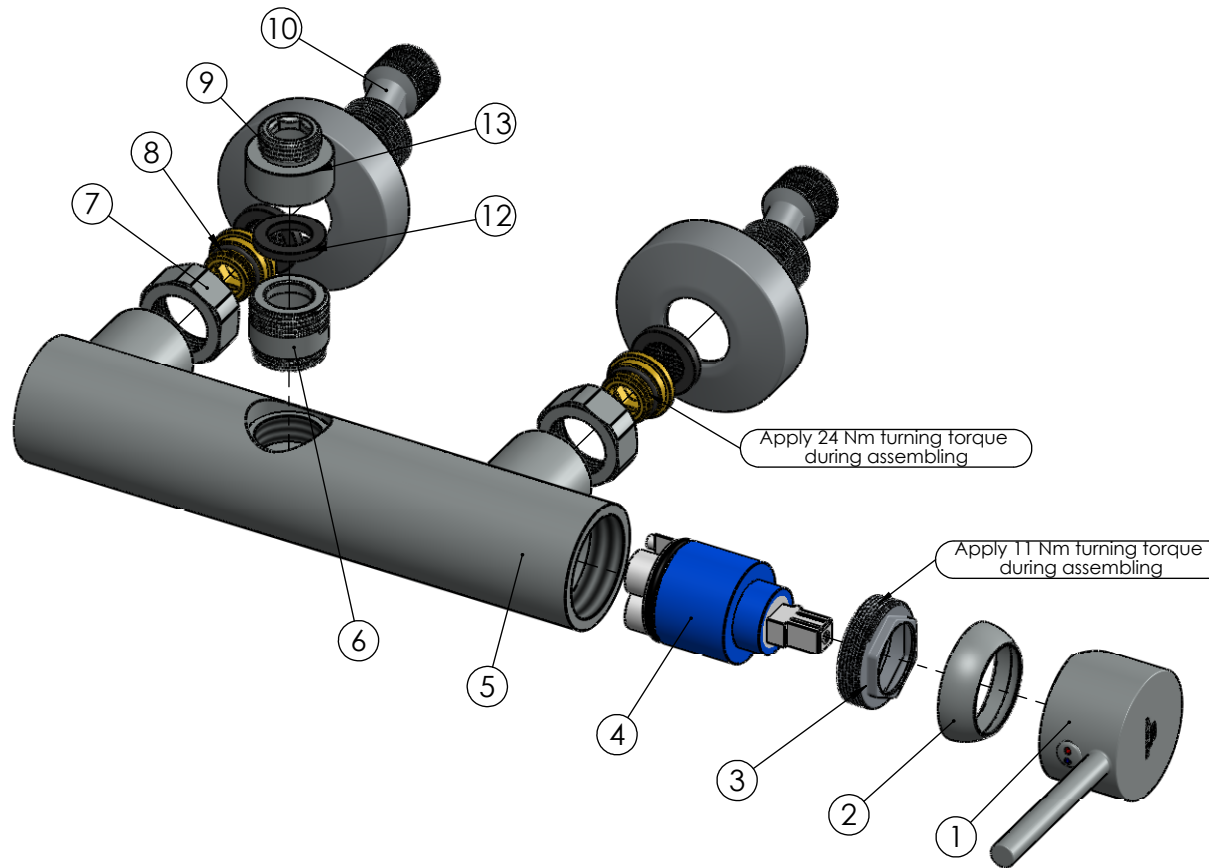


Product name: **Faucet Ultra-15/D**
 Product Code: **UD15008**



ITEM NO.	PART CODE	NAME	QTY.
1	631065	Handle Ultra-15/D	1
2	636253	Cartridge cap Optima/Kapri	1
3	636301	Nut for cartridge 35 mm	1
4	634001	Cartridge 35 mm with diffuser	1
5	635316	Body Ultra-15/D	1
6	636549	Adapter G3/4xM24x1 (Ultra-15/D)	1
7	637069	Back seat nut G3/4 (Lotos/Modena)	2
8	637068	Fixing set back seat M18x1.5 (Lotos/Modena)	2
9	636614	Fixing set plate Thermo/ULTRA	2
10	636601	Eccentric	2
11	632013	Washer G3/4" with net	2
12	632002	Rubber washer G3/4"	1
13	636925	Adapter F3/4" - M1/2"	1