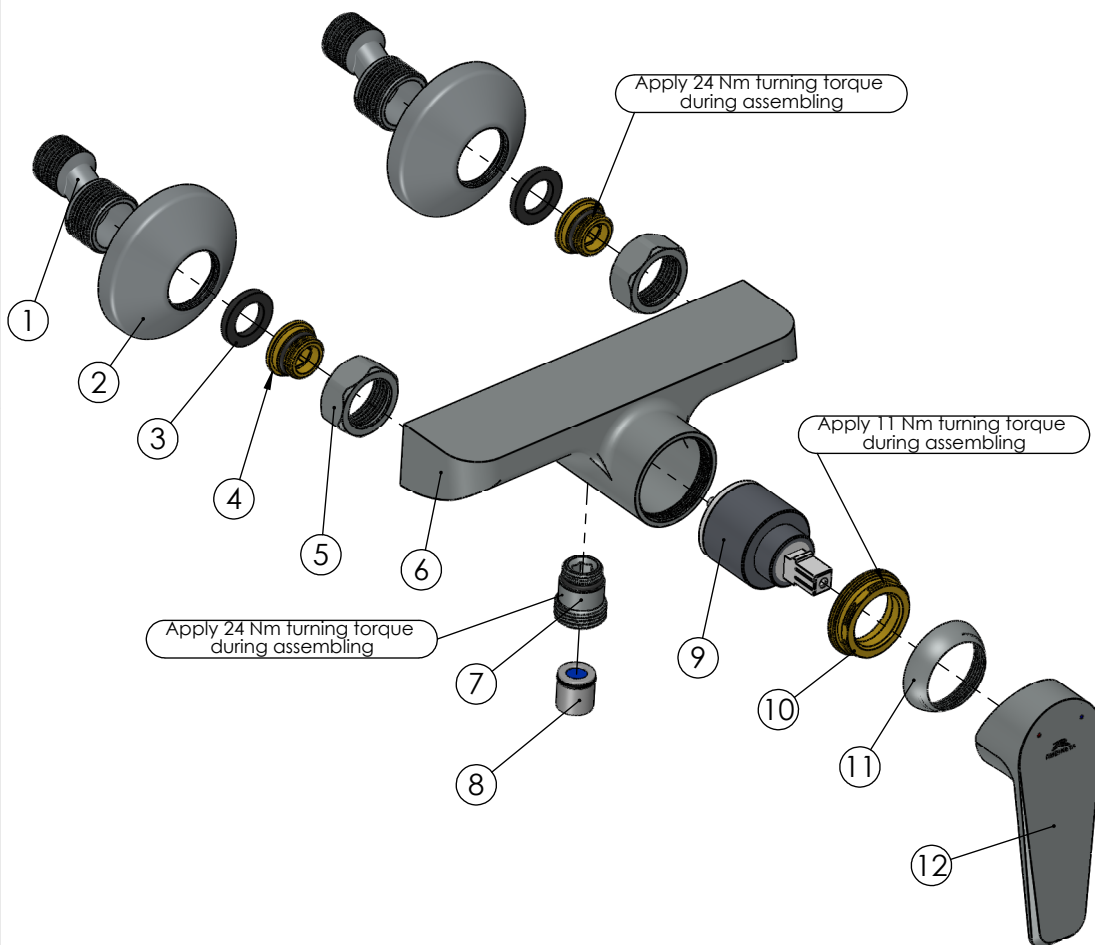




RUBINETA

Product name: **Faucet Deli-12**
Product Code: **D20008**



ITEM NO.	PART CODE	NAME	QUANTITY
1	636601	Eccentric	2
2	636610	Eccentric plate 65x20	2
3	632002	Rubber washer G3/4"	2
4	636403	Fixing back seat M18x1.5	2
5	636310	Back seat nut G3/4"	2
6	635456	Body Deli-12	1
7	637123	Adapter M16x1.5-G1/2 for Deli-12	1
8	636470	Check-valve blue DN15	1
9	634041	Cartridge 35mm Citec (grey)	1
10	636272	Cartridge nut Elma/Deli	1
11	636271	Cartridge cap Elma/Deli	1
12	631354	Handle Deli	1